



REGULATED POWER SUPPLY

D 030-0.3 0-30 V, 0.3 A

DESCRIPTION

The power supply D 030-0.3 is a low cost voltage regulated power supply with a fixed current limit.

It is fully protected against all overload and short circuit conditions.

Like all Delta power supplies the output is protected against externally generated forward and reverse voltage spikes.

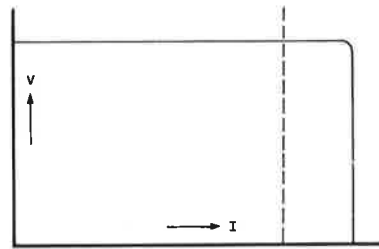


SPECIFICATIONS

Input voltage	110-130-200-220-240 V, 50-60 Hz.
Voltage regulation	5 mV for a + or - 10 % AC input voltage variation. 10 mV for a 100 % load variation.
Temp. coefficient	Maximum 0.05 % per °C.
Ripple voltage	Less than 0.2 mV r.m.s.
Output impedance	200 milli-ohms for load frequencies up to 100 kHz.
Recovery time	10 micro-seconds for recovery to within 30 mV of steady state voltage after a step load change from 10 % to 100 %.

Current limit

On overload the current limits at approximately 125 % of maximum rating.



Parallel and series connection

Special design enables parallel and series connection without any precaution.

Ambient temp.

- 20 to + 40 °C.

Meter

Meter with selector switch for voltage and current, accuracy 1.5 % f.s.

Finish

Light gray front panel with dark blue case.

Weight

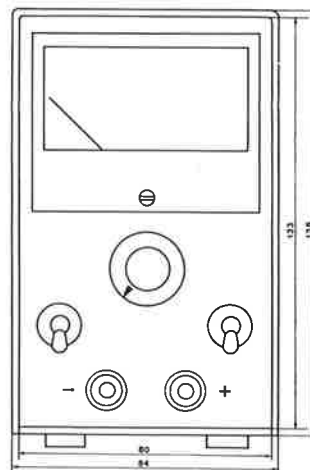
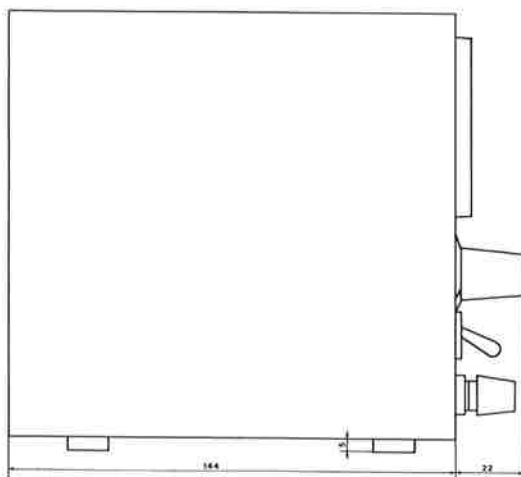
D 030-0.3 1.9 kg.
D 08-1 2.2 kg.

Size

84 x 138 x 144 mm.

Optional

10-turn potentiometer for voltage control



R (Ohm)

1 =	470	5%	$\frac{1}{2}$ W
2 =	4,7 k	5%	$\frac{1}{2}$ W
3 =	3,3 k	5%	$\frac{1}{2}$ W
4 =	2,2 k	5%	$\frac{1}{2}$ W
5 =	22	5%	$\frac{1}{2}$ W
6 =	100	5%	$\frac{1}{2}$ W
7 =	3,3 k	5%	$\frac{1}{2}$ W
8 =	3,3 k	5%	$\frac{1}{2}$ W
9 =	4,7 k	5%	$\frac{1}{2}$ W
10 =	3,9 k	2%	$\frac{1}{2}$ W MF
11 =	10 k	5%	$\frac{1}{2}$ W
12 =	10 k	5%	$\frac{1}{2}$ W
13 =	1 m	5%	$\frac{1}{2}$ W
14 =	10 k	5%	1W
15 =	1,2 k	2%	$\frac{1}{2}$ W MF
16 =	ARW		
17 =	ARW		
18 =	30 k	2%	$\frac{1}{2}$ W
19 =	5,6 k	5%	$\frac{1}{2}$ W
20 =	1 k	var.	
21 =	1 k	var.	
22 =	5 k	potm.	

T 1 =	2N3704	TI
2 =	2N3704	TI
3 =	40348	RCA
4 =	2N4037	RCA
5 =	40348	RCA
6 =	2N4037	RCA
7 =	2N3704	TI
8 =	2N3055	RCA

C (microfarad)

1 =	0,001	400 V
2 =	2	15 V
3 =	100	70 V
4 =	10	100 V
5 =	10	100 V
6 =	0,001	400 V
7 =	500	70 V
8 =	100	70 V
D 1 =	OA 202	Philips
2 =	OA 202	Philips
3 =	OA 202	Philips
4 =	TS-2	DI
5 =	ZG 6,8	Intermetall
6 =	ZG 6,8	Intermetall
7 =	ZG 6,8	Intermetall
8 =	TS-2	DI
9 =	TS-2	DI
10 =	TS-2	DI
11 =	TS-2	DI

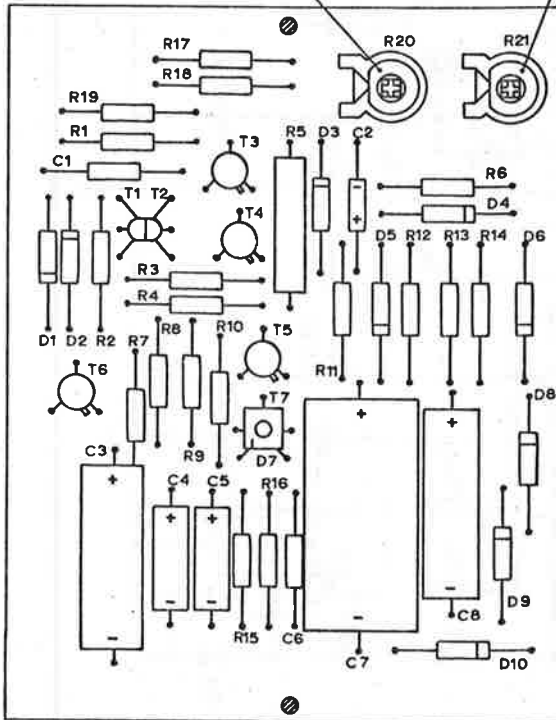
MF = Metaalfilmweerstand
Metalfilmresistor
Metalfilmwiderstand

ARW = Afregelweerstand
Calibration resistor
Abregelwiderstand

L = Liliput telefonlampe
48 V 0,02 A
Fabr. Taunuslicht

Eichung Strommesser
Calibration current meter

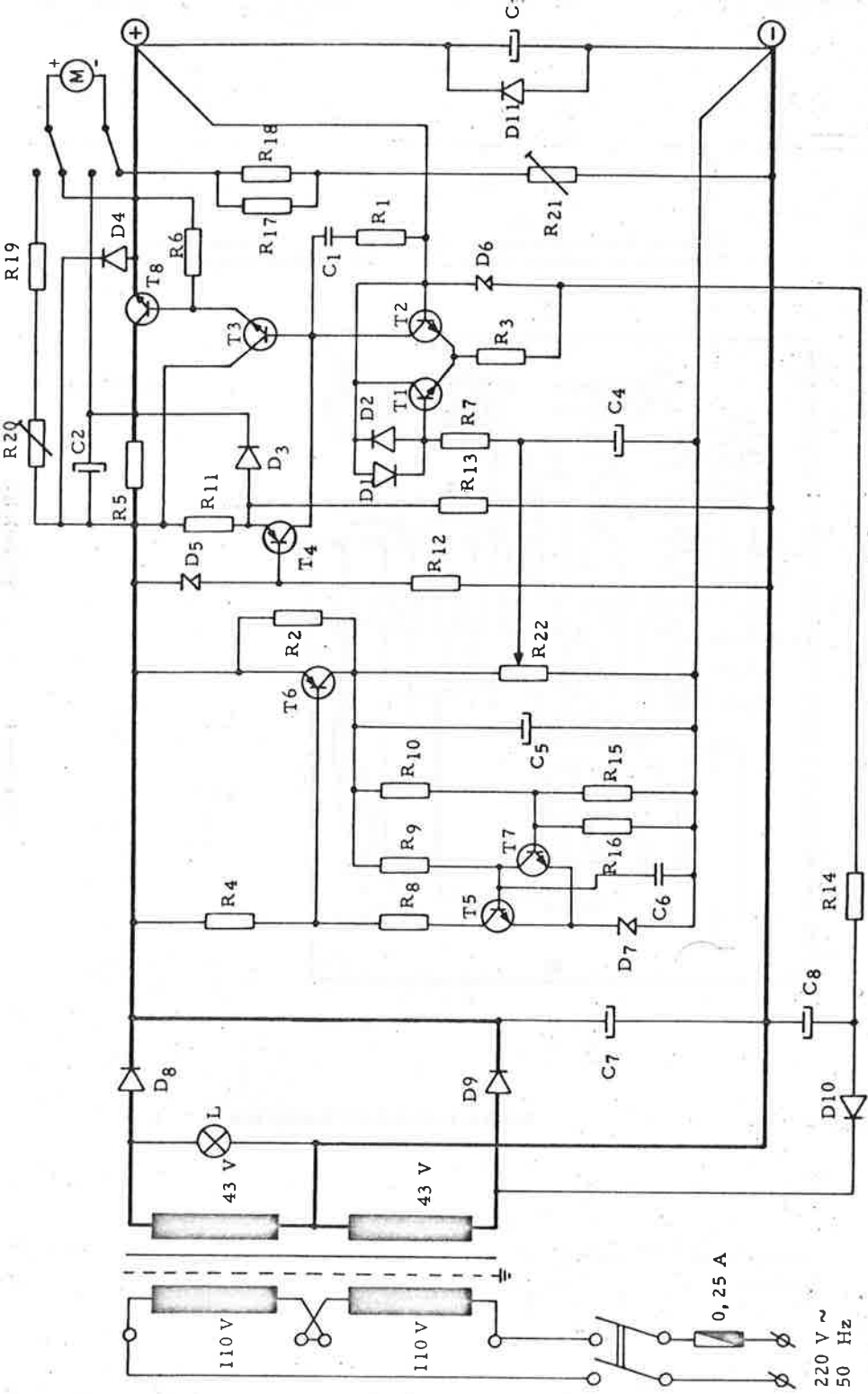
Eichung Spannungsmesser
Calibration voltage meter



HO 22

D 030-03

DELTA ELEKTRONIKA



D 030-0,3

DELTA ELEKTRONIKA

juni '66